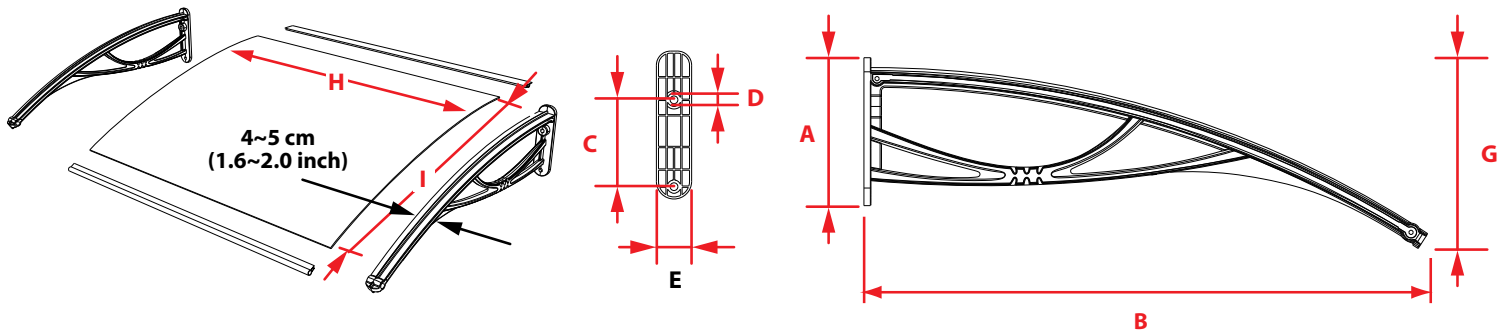


Door Awning Dimensions Table

Style	Model Number	Unit	Assembled Product (DxWxH)	A	B	C	D	E	F	G	H	I	J
				Bracket (Height)	Bracket (Depth)	Bracket Holes Distance	Bracket Holes Diameter	Bracket Width	Bracket Width	Height	Sheet Width	Sheet Projection	Sheet Edge to Bracket
PN Series	DA4731-PBS1N	mm	800x1200x280	210	800	123	11	50	-	280	1140	785	-
	DA4731-PWS1N	inch	31x47x11	8.3	31.5	4.8	0.43	2	-	11	44.88	30.91	-
	DA5531-PBS1N	mm	800x1400x280	210	800	123	11	50	-	280	1340	785	-
	DA5531-PWS1N	inch	31x55x11	8.3	31.5	4.8	0.43	2	-	11	52.76	30.91	-
PA Series	DA4735-PSS1A	mm	900x1200x200	135	865	105	11	40	952	200	1200	910	102
	DA4735-PSS2A	inch	35x47x7.9	5.3	34.1	4.1	0.43	1.6	37.5	7.9	47.24	35.83	4.02
	DA4735-PSS3A			5.3	34.1	4.1	0.43	1.6	37.5	7.9	47.24	35.83	4.02
	DA5935-PSS1A	mm	900x1500x200	135	865	105	11	40	952	200	1500	910	252
	DA5935-PSS2A	inch	35x59x7.9	5.3	34.1	4.1	0.43	1.6	37.5	7.9	59.06	35.83	9.92
	DA5935-PSS3A			5.3	34.1	4.1	0.43	1.6	37.5	7.9	59.06	35.83	9.92
	DA7935-PSS1A	mm	900x2000x200	135	865	105	11	40	800	200	2000	910	178
	DA7935-PSS1A	inch	35x79x7.9	5.3	34.1	4.1	0.43	1.6	31.5	7.9	79	35.83	7.01
5.3				34.1	4.1	0.43	1.6	31.5	7.9	79	35.83	7.01	
DA9435-PSS1A	mm	900x2400x200	135	865	105	11	40	952	200	2400	910	226	
			inch	35x94x7.9	5.3	34.1	4.1	0.43	1.6	37.5	7.9	94	35.83

The listed measurements are for general reference only. Please always consult a professional installer for advice on proper hardware and installation. Note: Data Error ±10~20%.

PN Series



PA Series

